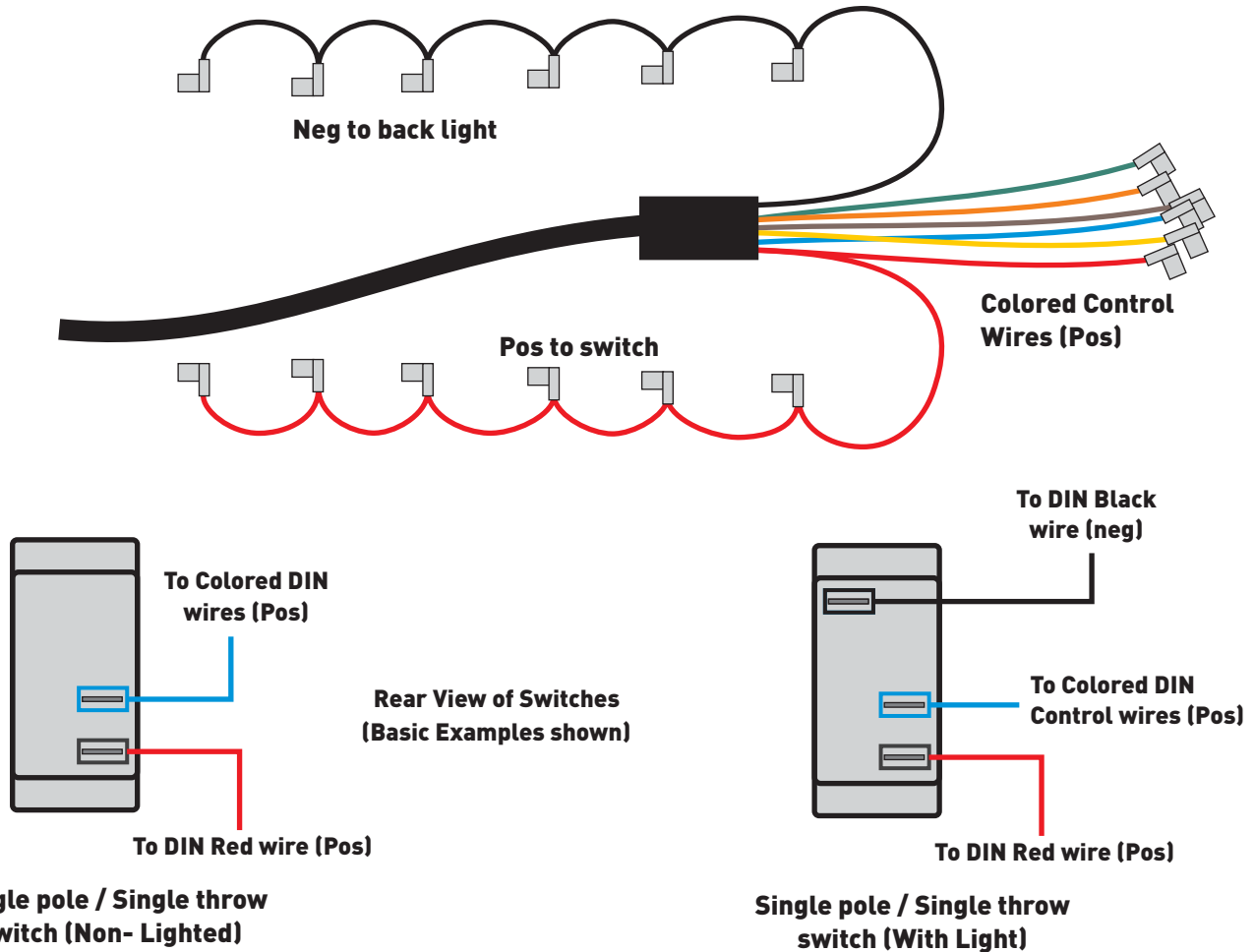




# Instructions 3012

## Wiring the Rev 2 DIN Cable to a switch

**IMPORTANT:** When installing the DIN cable to the controller, be sure power is off before inserting connector. The yellow wire is power on/off to controller, be sure it has no power going into it before connection.



Wiring the DIN on a 6 Shooter or 4 Plus to a switch requires the connections as shown above.

For Single Pole/Single Throw switches with or without back lights, the switch needs to close the circuit between the colored control wires and one each of the chained Red wires from the DIN. This tells the board in the DIN cable to switch on a circuit based on which colored wire circuit is closed.

For lighted switches, use the chained Black connections to power the light circuit of the switch. Follow the diagram for lighted switches above.

<b>COLOR CODE:</b>
Red = Ch1
Green = Ch2
Blue = Ch3
Yellow = Ch4
White = Ch5
Brown = Ch6
Black = Ground
Red Chain = V+