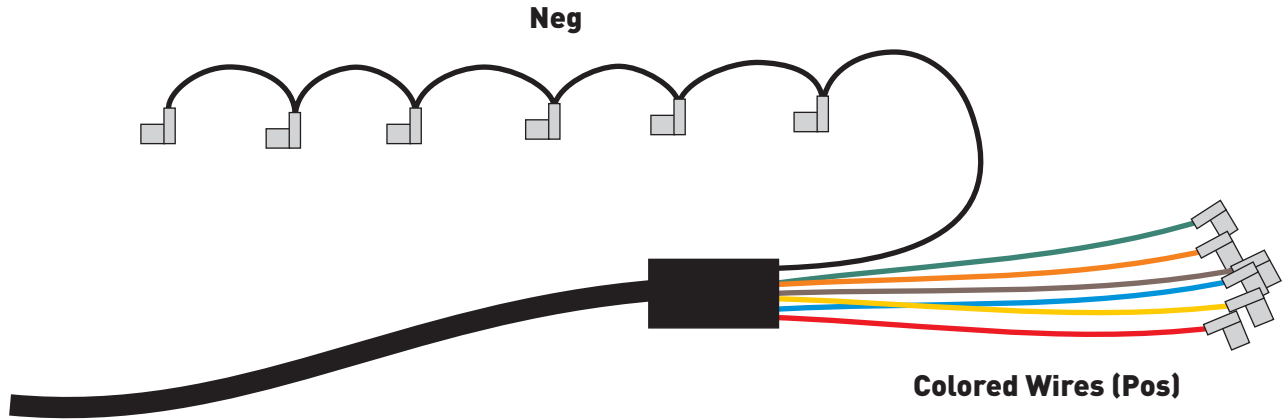
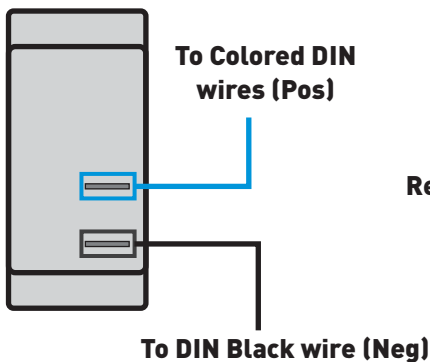


TECH BULLETIN

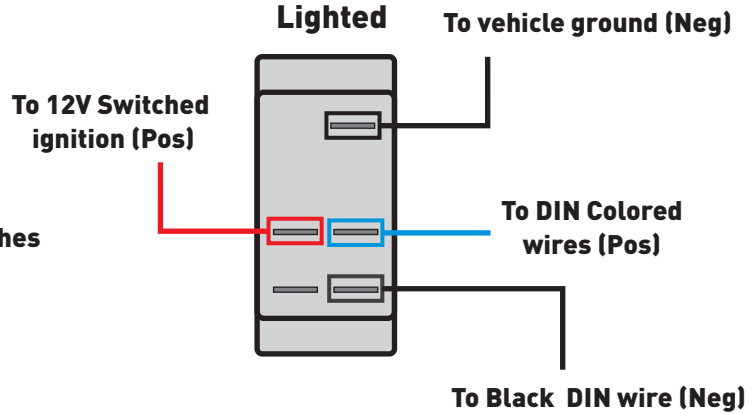
Wiring the Rev 1 DIN Cable to a switch



Non-Lighted



Single pole / Single throw switch



Double pole / Single throw switch required for back lighted switch

Wiring the DIN on a 6 Shooter or 4 Plus to a switch requires the connections as shown above.

For Single Pole/Single Throw switches without back lights, the switch needs to close the circuit between the colored wires and one each of the black wires from the DIN. This tells the board in the DIN cable to switch on a circuit based on which colored wire circuit is closed.

For lighted switches, a Double Pole/Double Throw switch is required to allow 12 volts to run to the light circuit of the switch. Follow the diagram for lighted switches above. **PLEASE NOTE:** Single Pole/Single Throw switches with a light in them will destroy the DIN cable board if wired directly to 12 volts.